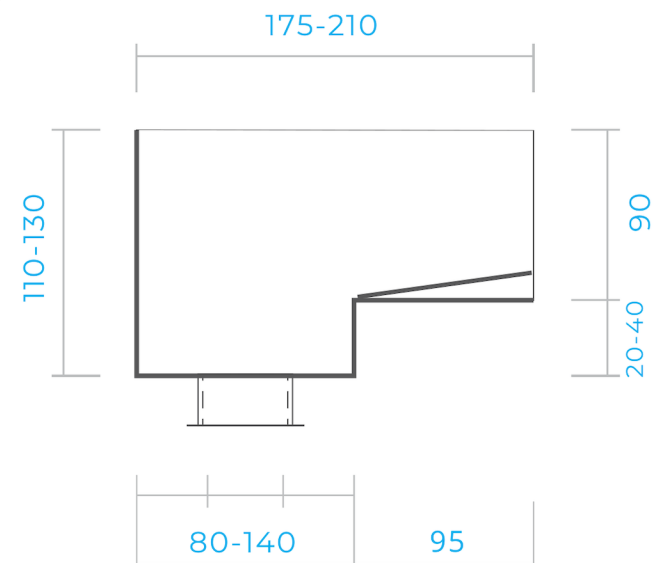
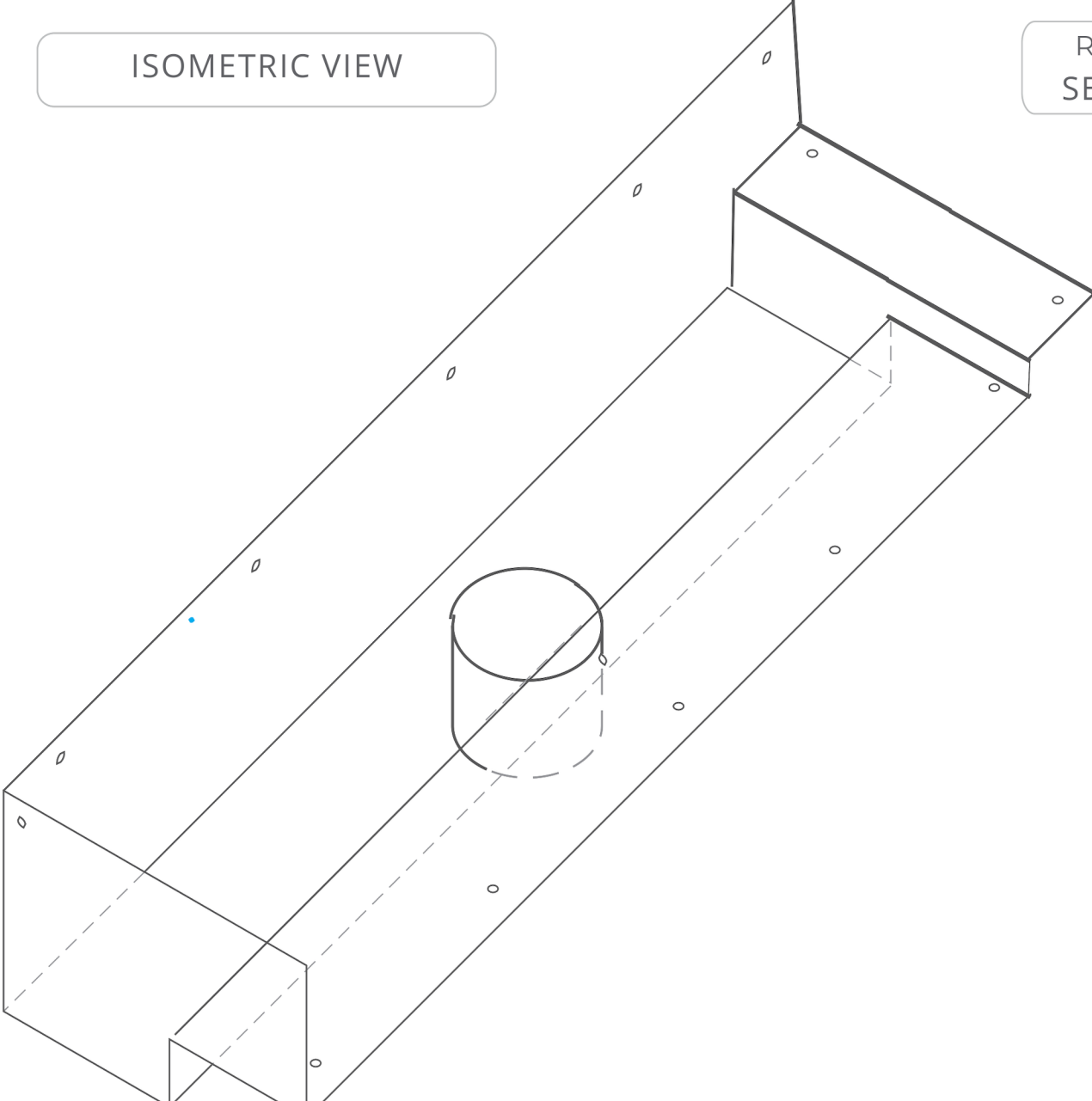
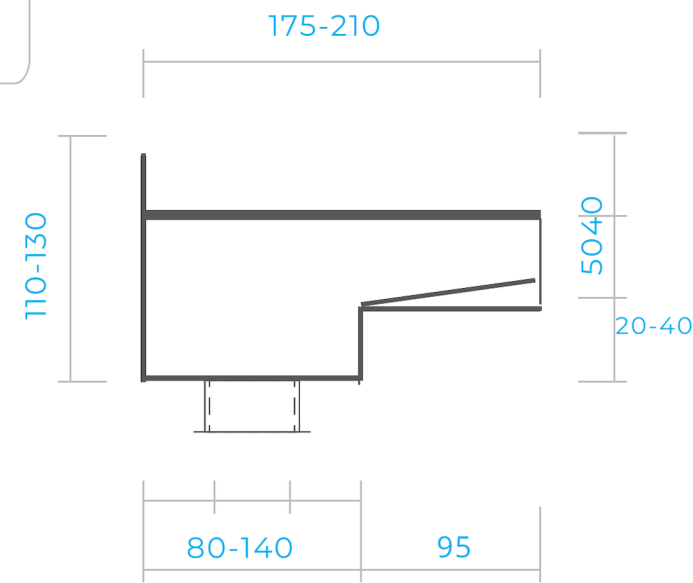


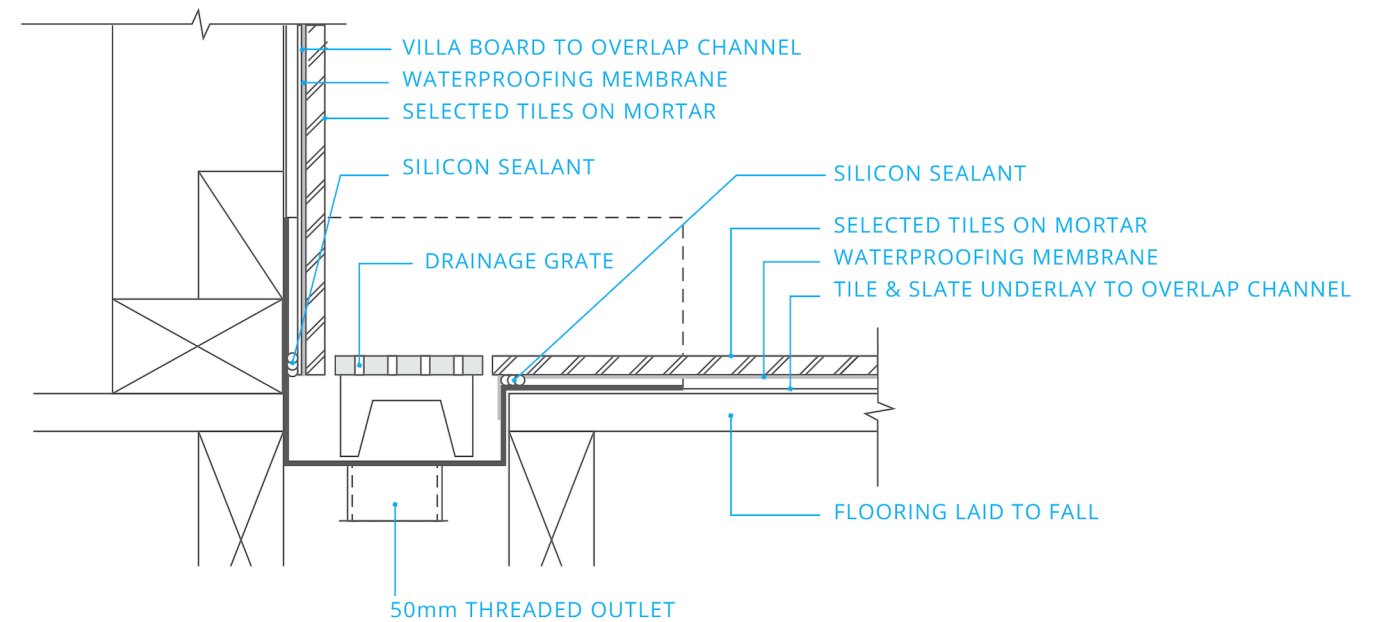
ISOMETRIC VIEW

RIGHT HAND SECTION VIEW

PATENTED DESIGN & PAENTS PENDING
WWW.JESANI.CO.NZ
0800 537 264



LEFT HAND SECTION VIEW



DETAIL VIEW



WALL MOUNTED SHOWER CHANNEL
RH Flange Down

COPYRIGHT © 2016 JESANI LIMITED
ALL MEASUREMENTS IN MILLIMETRES

Protected by any one or more of the following
 NZ Registered Design Nos 422194 & 421870
 New Zealand patent application no. NZ 722512