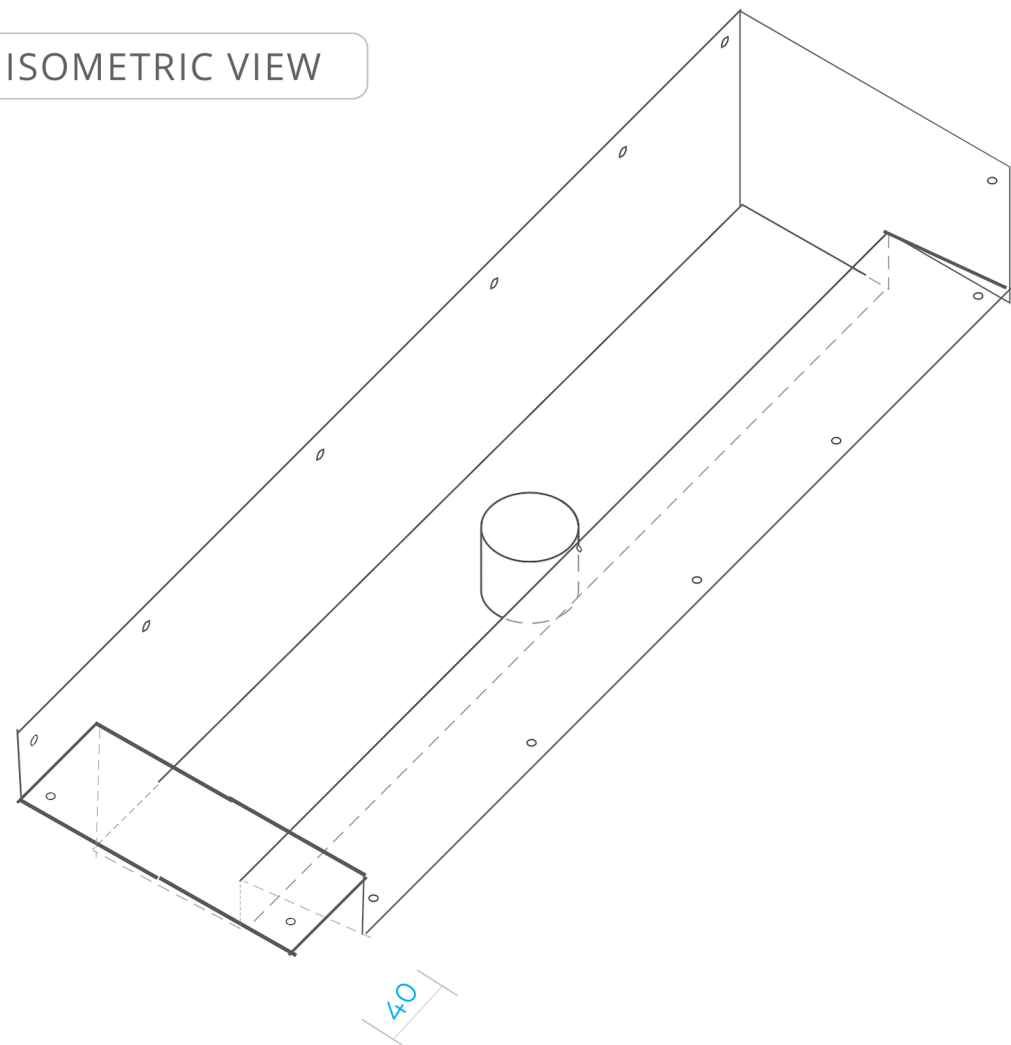
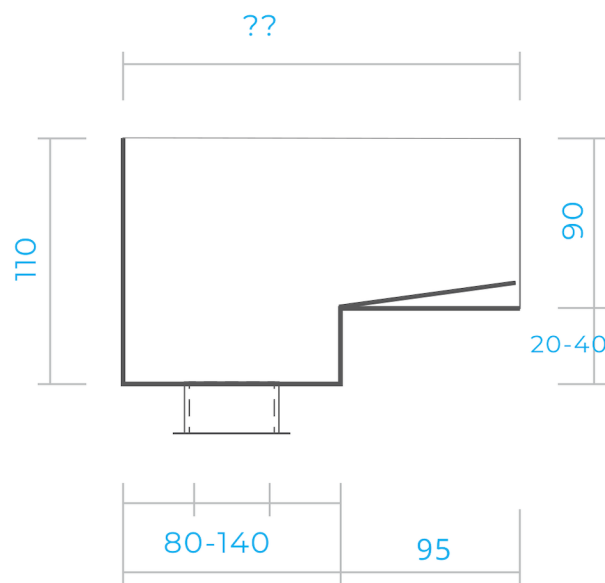


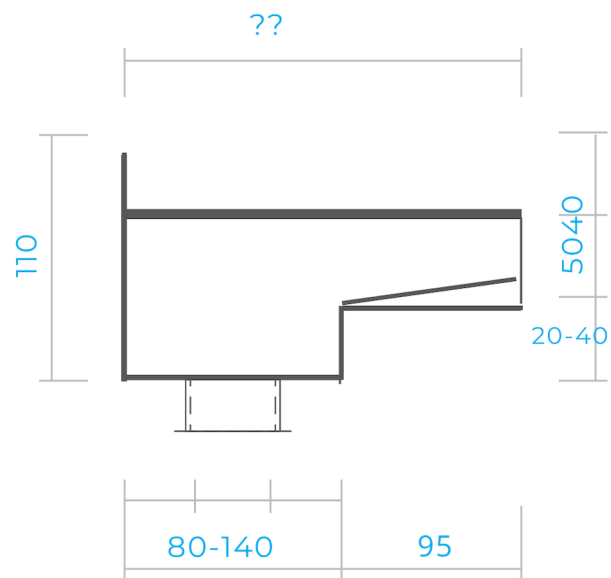
ISOMETRIC VIEW



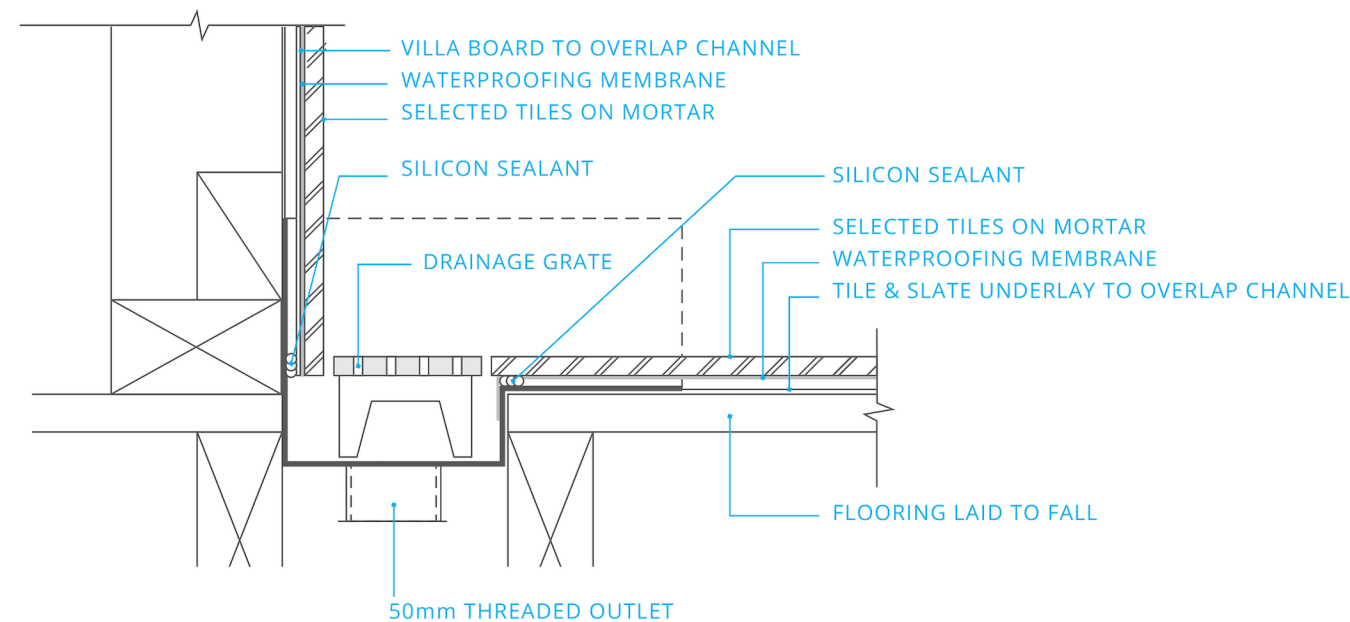
PATENTED DESIGN & PAENTS PENDING  
WWW.JESANI.CO.NZ  
0800 537 264



RIGHT HAND SECTION VIEW



LEFT HAND SECTION VIEW



DETAIL VIEW



WALL MOUNTED SHOWER CHANNEL  
LH Flange Down

COPYRIGHT © 2016 JESANI LIMITED  
ALL MEASUREMENTS IN MILLIMETRES

Protected by any one or more of the following  
NZ Registered Design Nos 422194 & 421870  
New Zealand patent application no. NZ 722512