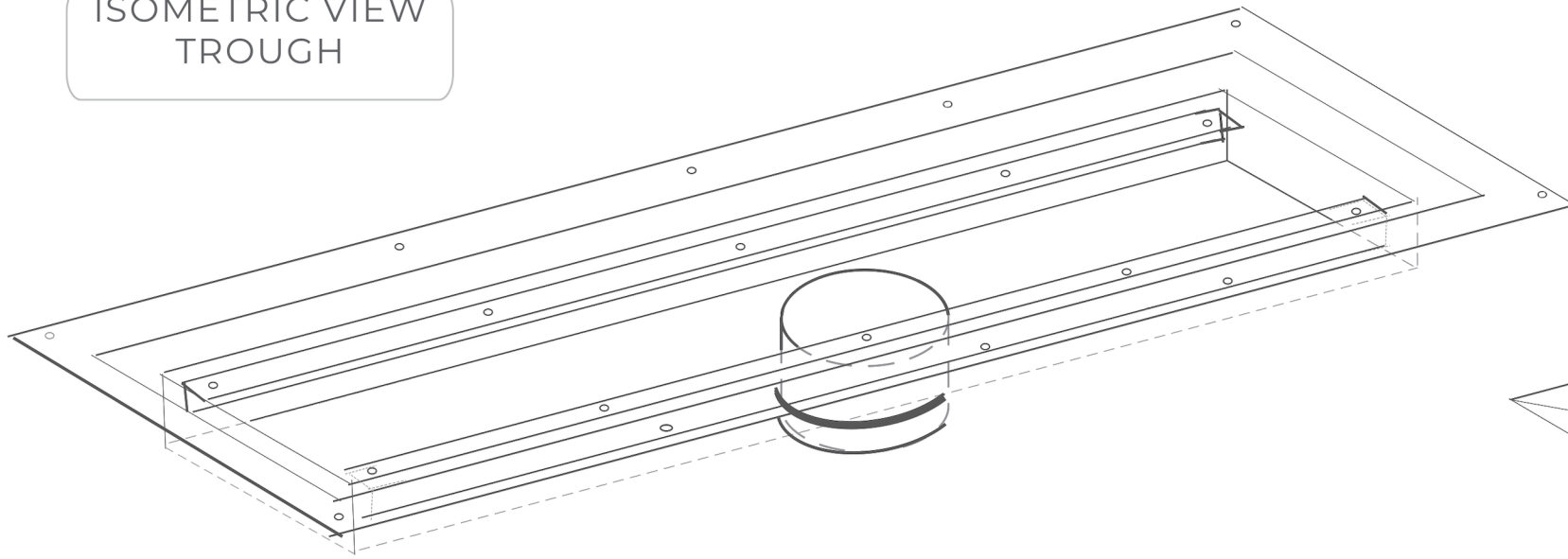
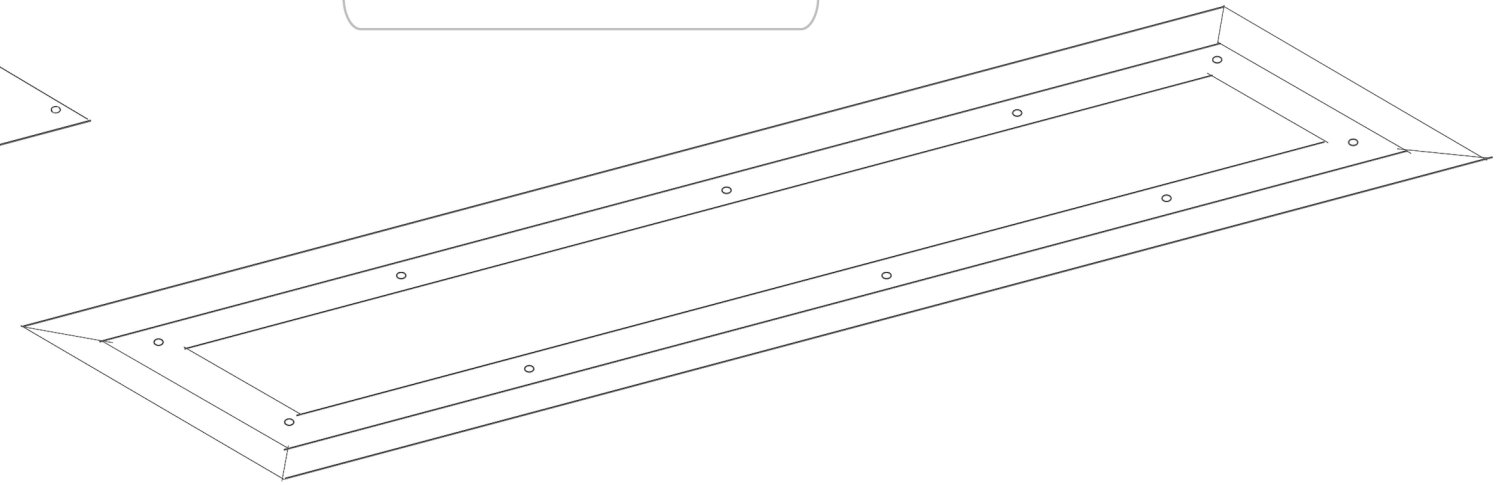


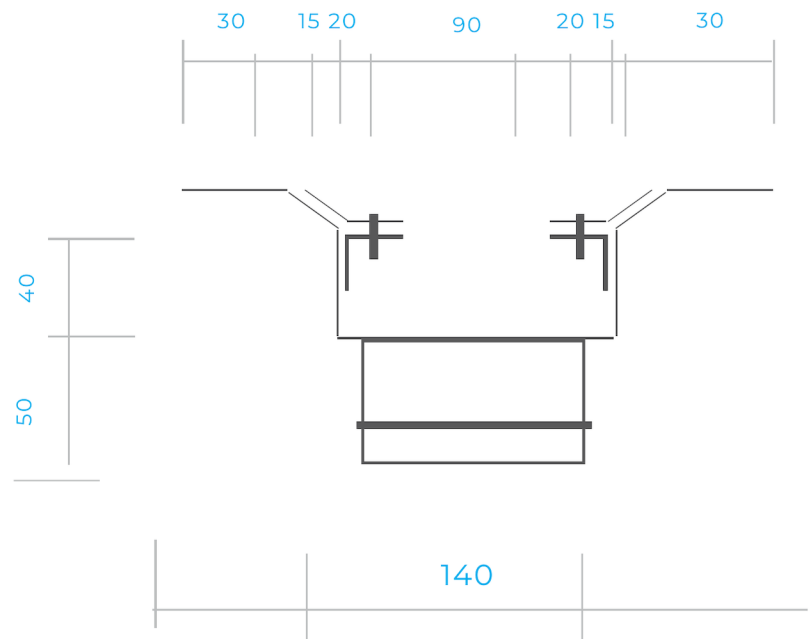
ISOMETRIC VIEW
TROUGH



ISOMETRIC VIEW
CLAMPING FLANGE



SECTION VIEW



PATENTED DESIGN & PAENTS PENDING
WWW.JESANI.CO.NZ
0800 537 264



RECTANGLE SHOWER CHANNEL
for VINYL APPLICATION

COPYRIGHT © 2016 JESANI LIMITED
ALL MEASUREMENTS IN MILLIMETRES

Protected by any one or more of the following
NZ Registered Design Nos 422194 & 421870
New Zealand patent application no. NZ 722512