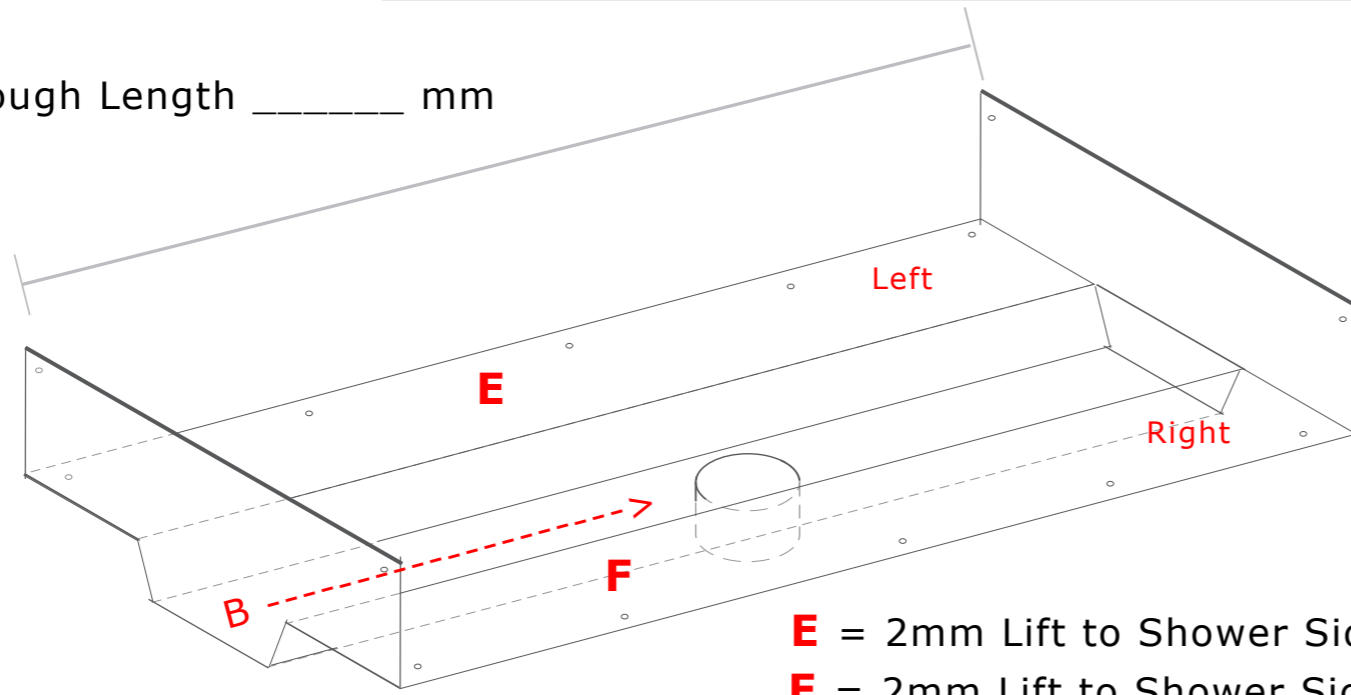


ISOMETRIC VIEW

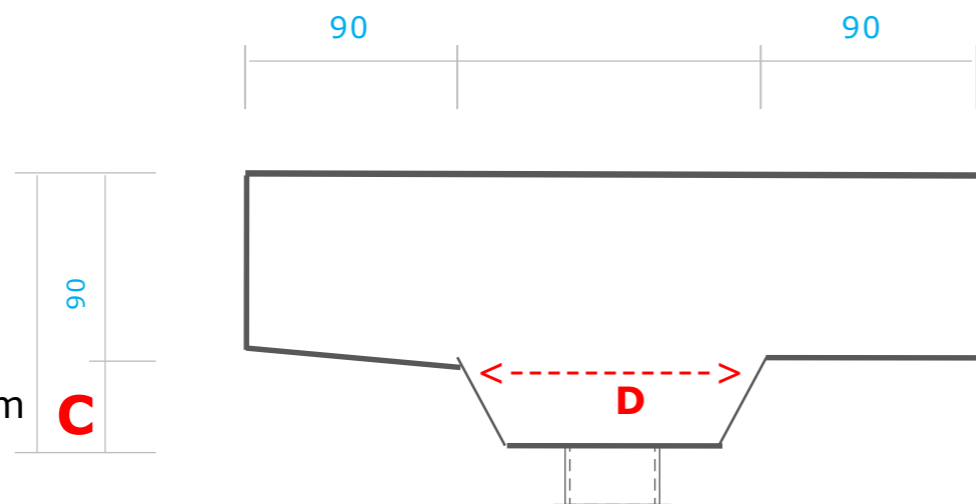
PLEASE NOTE: If installing under floor heating, allow for under floor height of 7mm of screed on shower side.

A Trough Length _____ mm



E = 2mm Lift to Shower Side: _____
F = 2mm Lift to Shower Side: _____

B Distance from LHS to CENTRE of outlet _____ mm



Distance from trough edge to CENTRE of outlet _____ mm

D Trough Width _____ mm

Trough Depth _____ mm

C

JESANI SHOWER CHANNEL THRESHOLD & CENTRE

STYLE: ___ TILE INSERT ___ *GRILL

*We recommend 5 BARS = 76 mm wide / 81 TILE TO TILE)

WALL LINING:

A = FRAME to FRAME _____ mm
A = VILLA TO VILLA _____ mm
A = GIB to GIB _____ mm
 Needs to be outside channel)

FLOORING SUBSTRATE:

_____ TIMBER _____ CONCRETE

OUTLET:

_____ 50mm Threaded	_____ 50mm Spigot
_____ 65mm Threaded	_____ 65mm Spigot
_____ 80mm Spigot	_____ 100mm Spigot

PRODUCT THICKNESS:

FLOOR TILE THICKNESS	_____ mm
TILE & SLATE UNDERLAY:	_____ mm
UNDERFLOOR HEATING:	_____ mm
PRE-FORMED SHOWER BASE:	_____ mm
WALL TILE THICKNESS:	_____ mm
WATERPROOFING & ADHESIVE:	_____ 7mm

CUSTOMER DETAILS:

Date: _____
 Project Name: _____
 Customer Name: _____
 Phone: _____
 Email: _____
 Delivery Address: _____



THRESHOLD & CENTRE SHOWER CHANNEL ORDER FORM

PRODUCT CODE: JTSC (THRESHOLD), JCSC (CHANNEL)

COPYRIGHT © 2016 JESANI LIMITED ALL MEASUREMENTS IN MILLIMETRES

Protected by any one or more of the following

NZ Registered Design Nos 422194 & 421870 New Zealand patent application no. NZ 722512