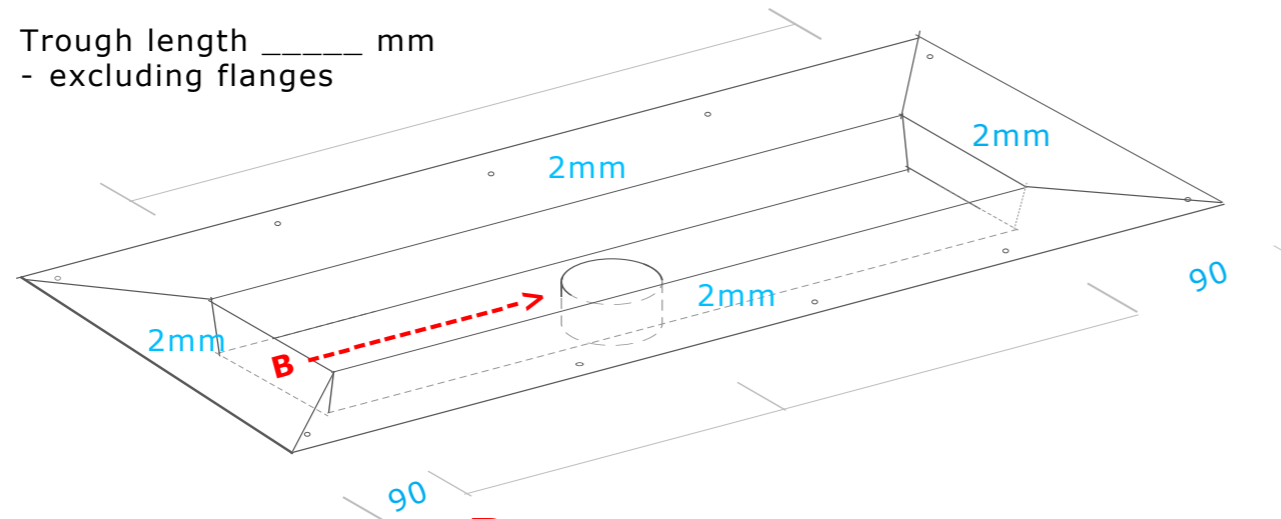


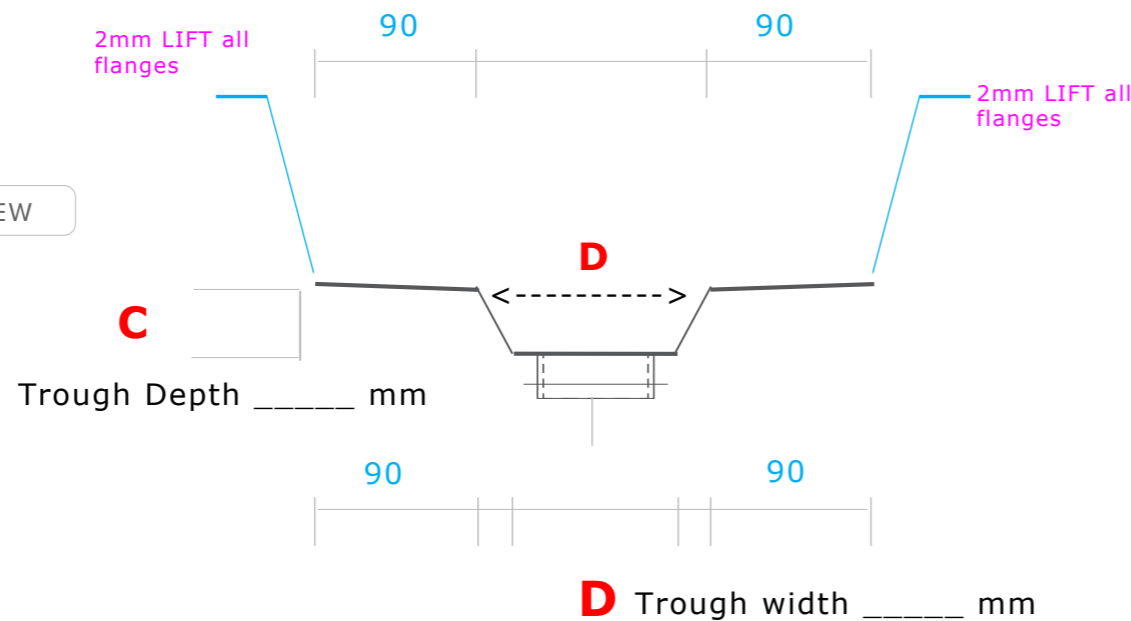
ISOMETRIC VIEW

A Trough length _____ mm
- excluding flanges



B Distance from LHS of trough to CENTRE of outlet _____ mm

SECTION VIEW



Trough Depth _____ mm

D Trough width _____ mm

JESANI

RECTANGLE SHOWER CHANNEL - TILE

STYLE:

____ TILE INSERT ____ *GRILL

*We recommend 5 BARS = 76 mm wide / 81 TILE TO TILE

POWDER COATED ____ COLOUR: _____

ELECTROPLATED ____ COLOUR: _____

FLOOR SUBSTRATE: ____ CONCRETE ____ TIMBER

OUTLET SIZE

____ 50mm THREADED

____ 50mm SPIGOT

____ 65mm THREADED

____ 65mm SPIGOT

____ 80mm SPIGOT

____ 100mm SPIGOT

PRODUCT THICKNESS:

FLOOR TILE THICKNESS: _____ mm

TILE & SLATE UNDERLAY:

____ On top of flange ____ Under flange

UNDERFLOOR HEATING: _____ mm

PRE-FORMED SHOWER BASE: _____ mm

WALL TILE THICKNESS: _____ mm

WATERPROOFING & ADHESIVE: ____ 7mm

CUSTOMER DETAILS:

Date: _____

Project Name: _____

Customer Name: _____

Phone: _____

Email: _____

Delivery Address: _____



RECTANGLE SHOWER CHANNEL

Tile Floor Finish

ORDER FORM

PRODUCT CODE: JRSCT

COPYRIGHT © 2016 JESANI LIMITED
ALL MEASUREMENTS IN MILLIMETRES

Protected by any one or more of the following

NZ Registered Design Nos 422194 & 421870
New Zealand patent application no. NZ 722512