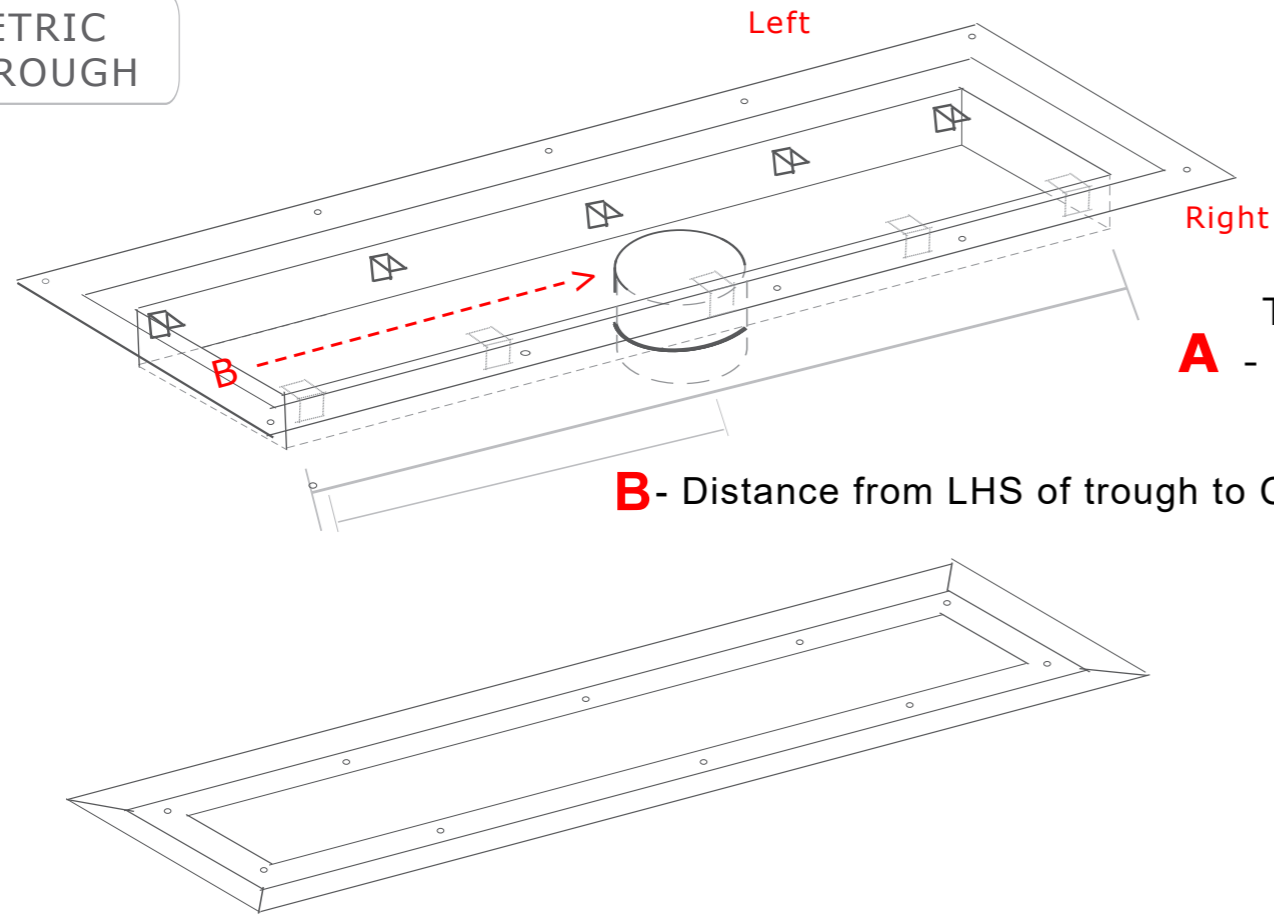


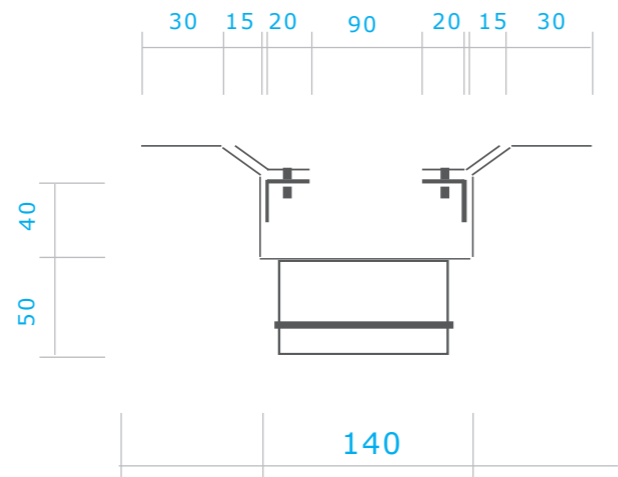
ISOMETRIC
VIEW TROUGH



A Trough length _____ mm
- excluding flanges

B - Distance from LHS of trough to CENTRE of outlet _____ mm

ISOMETRIC VIEW
CLAMPING FLANGE



SECTION VIEW

RECTANGLE SHOWER CHANNEL - VINYL

FLOORING - Vinyl

FLOOR SUBSTRATE:
 TIMBER CONCRETE

OUTLET POSITION:

CENTRE
 OFF SET

OUTLET SIZE:

50 mm THREADED
 65 mm THREADED
 50 mm SPIGOT
 65 mm SPIGOT
 80 mm SPIGOT
 100 mm SPIGOT

POWDER COATED COLOUR: _____

CUSTOMER DETAILS:

Date: _____
 Project Name: _____
 Customer Name: _____
 Phone: _____
 Email: _____
 Delivery Address: _____



**RECTANGLE SHOWER CHANNEL
VINYL FLOORING
Order form: JVC**

COPYRIGHT © 2016 JESANI LIMITED
ALL MEASUREMENTS IN MILLIMETRES

Protected by any one or more of the following

NZ Registered Design Nos 422194 & 421870
New Zealand patent application no. NZ 722512