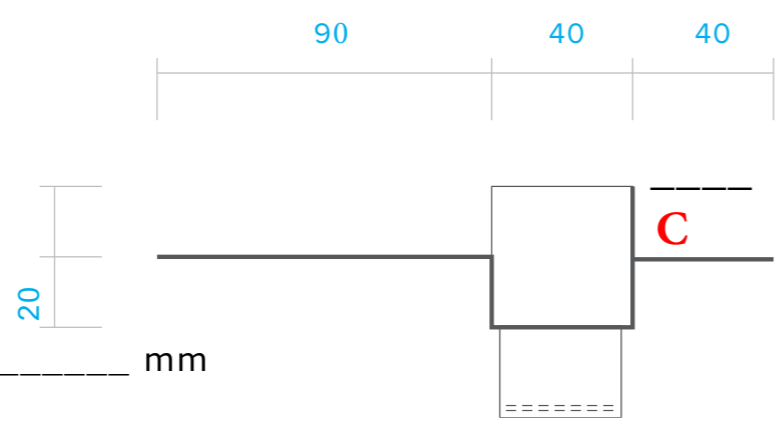
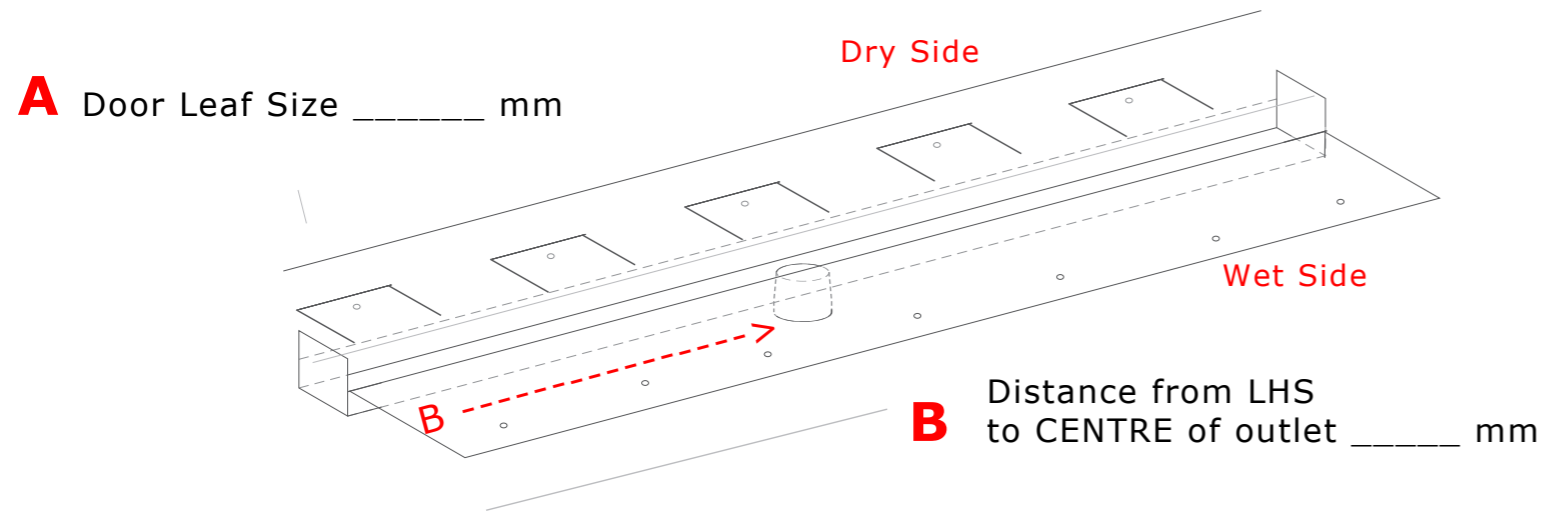


Note! Check Bathroom Floor for Levels

JESANI STANDARD DOOR CHANNEL - TILE FLOOR

ISOMETRIC VIEW



SECTION VIEW

STYLE: Grill ___ Tile Insert ___

FLOOR SUBSTRATE:

Timber ___ Concrete ___

HALLWAY FLOORING:

___ Carpet ___ Existing Hardwood
___ Vinyl ___ Exposed Concrete

OUTLET SIZE:

___ 38mm Spigot ___ 38mm Threaded

FLOORING PRODUCT:

Tile Thickness	___ mm
Waterproofing – Adhesive – Usually 7mm	7 mm
Underfloor Heating – Usually 6mm	6 mm
Tile/Slate Underlay	___ mm
Jesani Flange (Recommend under Underlay) 1.5mm	1.5 mm
Ply or Compressed Sheet 20mm	
Total	___ mm

Powercoated ___ Colour _____
Electroplated ___ Colour _____

CUSTOMER DETAILS:

Date: _____

Project Name: _____

Customer Name: _____

Phone: _____ Email: _____

Delivery Address: _____



STANDARD DOOR CHANNEL
Tile flooring
ORDER FORM
PRODUCT CODE: JSDCT

COPYRIGHT © 2016 JESANI LIMITED
ALL MEASUREMENTS IN MILLIMETRES

Protected by any one or more of the following

NZ Registered Design Nos 422194 & 421870 New Zealand patent application no. NZ 722512

This information is intended solely as a guide for use of Jesani products. Before using you should ensure that the product is suitable for use in the specific application. Nothing in this information constitutes a statement of fitness for particular purpose and appropriate expert advice is to always be obtained. Jesani Ltd makes no warranty regarding the use of this information with non-Jesani products. This drawing is the property of Jesani Ltd.