

# JESANI - 2 WALL - LH

**STYLE:**  TILE INSERT  GRILL

(5 bar grill recommended = 77mm/83mm Tile to tile)

**WALL LINING:**

**A** = FRAME to FRAME \_\_\_\_\_

**A** = VILLA to VILLA \_\_\_\_\_

**A** = GIB to GIB \_\_\_\_\_

(Need to be outside Channel)

**FLOOR SUBSTRATE:** Timber  Concrete

**OUTLET SIZE**

_____	50MM	THREADED	50 MM	SPIGOT	_____
_____	65MM	THREADED	65MM	SPIGOT	_____
_____	80MM	SPIGOT	100MM	SPIGOT	_____

**PRODUCT THICKNESS:**

FLOOR TILE THICKNESS: \_\_\_\_\_mm

**TILE & SLATE UNDERLAY:**

\_\_\_\_\_ On top of flange

\_\_\_\_\_ Under flange

UNDERFLOOR HEATING: \_\_\_\_\_mm

PRE-FORMED SHOWER BASE: \_\_\_\_\_mm WALL

TILE THICKNESS: \_\_\_\_\_mm

WATERPROOFING & ADHESIVE \_\_\_\_\_7 mm

**CUSTOMER DETAILS:**

Date: \_\_\_\_\_

Project Name: \_\_\_\_\_

Customer Name: \_\_\_\_\_

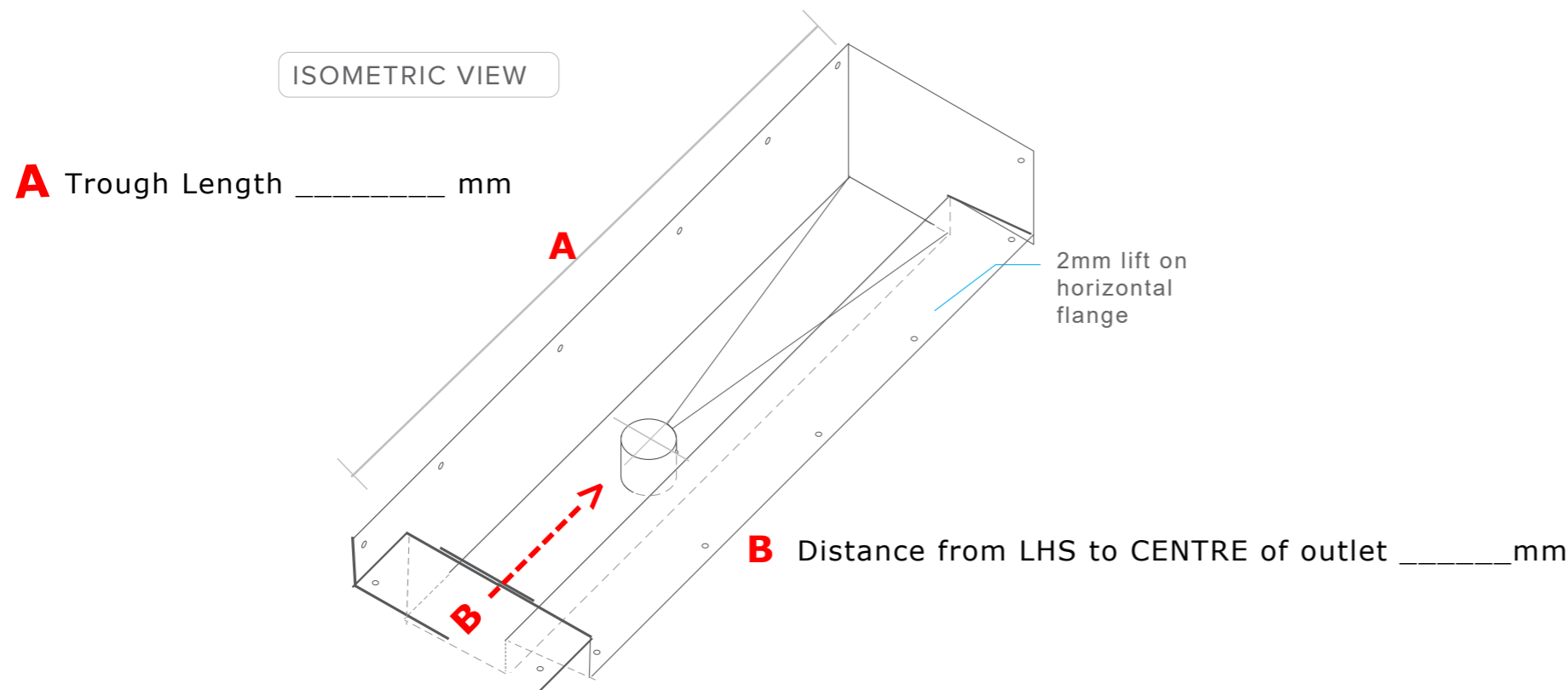
Phone: \_\_\_\_\_

Email: \_\_\_\_\_

Delivery Address: \_\_\_\_\_

\_\_\_\_\_

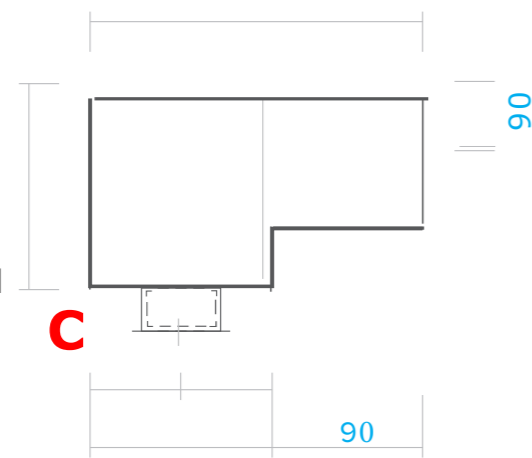
\_\_\_\_\_



**A** Trough Length \_\_\_\_\_ mm

2mm lift on horizontal flange

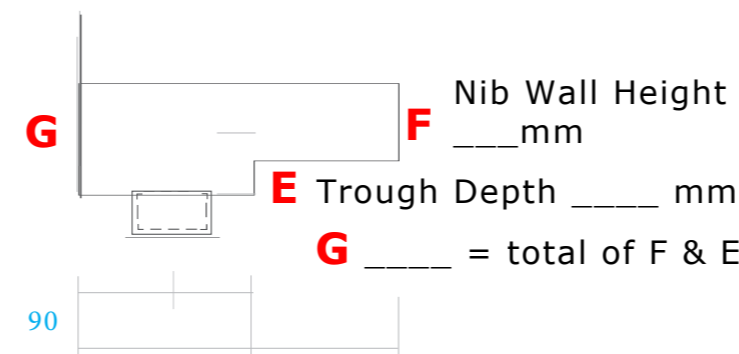
**B** Distance from LHS to CENTRE of outlet \_\_\_\_\_mm



**C** Distance from back wall to CENTRE of outlet \_\_\_\_\_mm

**D** Trough Width \_\_\_\_\_mm

LEFT HAND SECTION VIEW



**F** Nib Wall Height \_\_\_\_\_mm

**E** Trough Depth \_\_\_\_\_ mm

**G** \_\_\_\_\_ = total of F & E

RIGHT HAND SECTION VIEW



**2 WALL SHOWER CHANNEL  
LH Flange Down  
ORDER FORM  
Product Code: JWMSC-LH**

COPYRIGHT © 2016 JESANI LIMITED  
ALL MEASUREMENTS IN MILLIMETRES

Protected by any one or more of the following

NZ Registered Design Nos 422194 & 421870  
New Zealand patent application no. NZ

722512