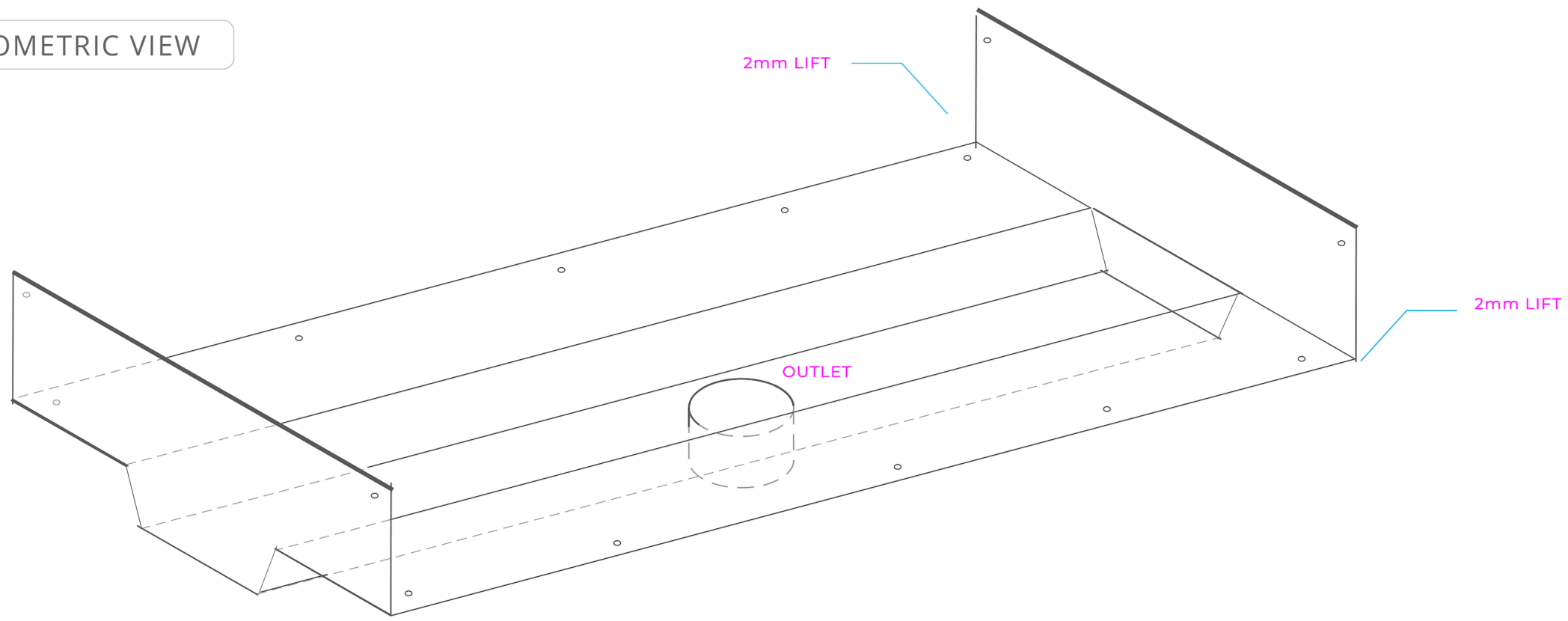
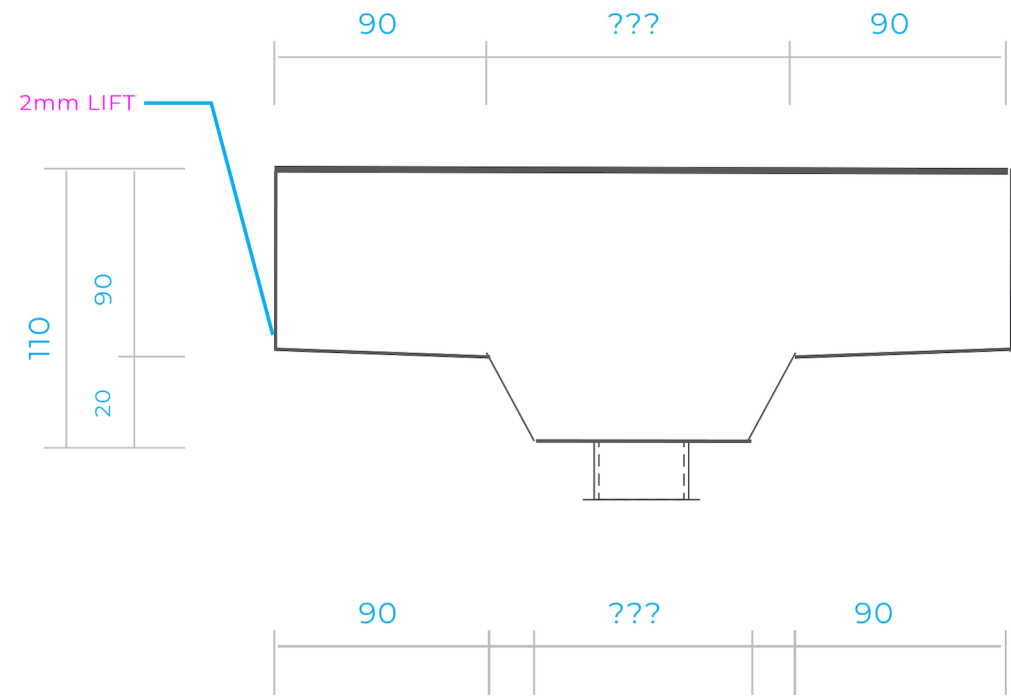


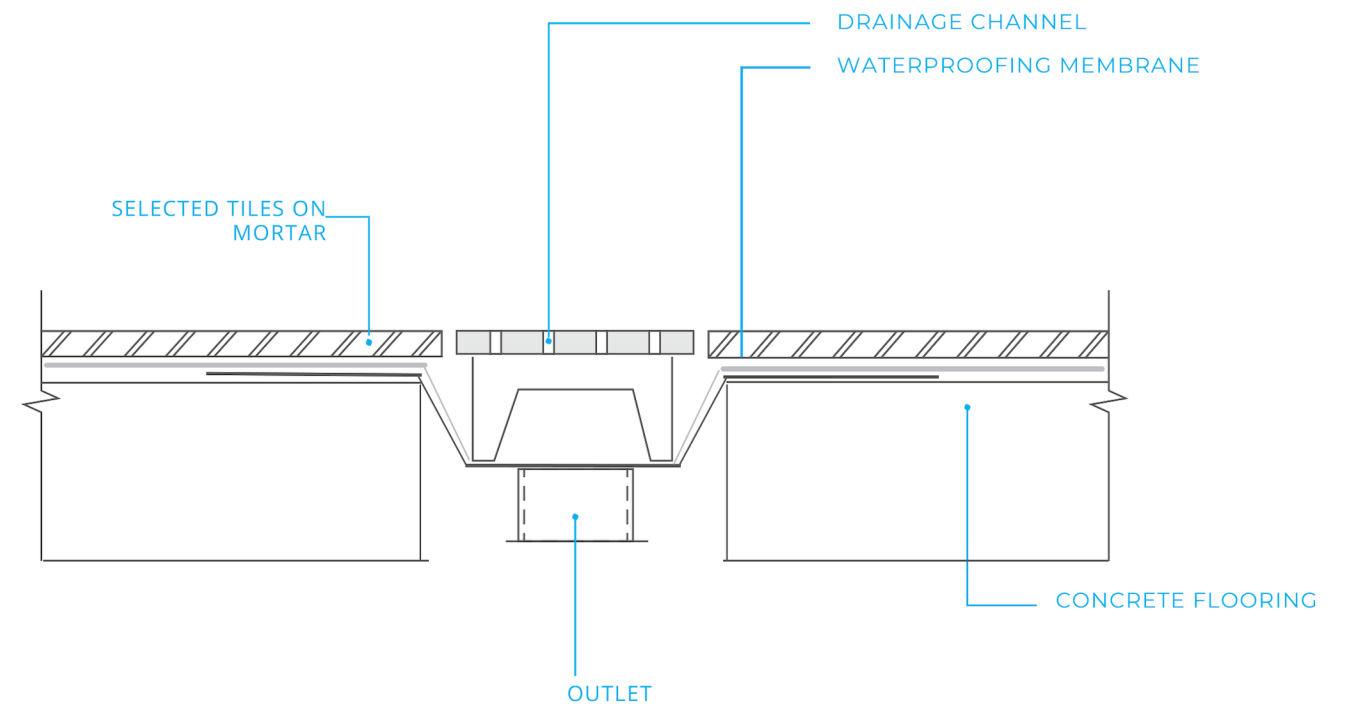
ISOMETRIC VIEW



PATENTED DESIGN & PAENTS PENDING
 WWW.JESANI.CO.NZ
 0800 537 264



SECTION VIEW



CENTRE SHOWER CHANNEL

COPYRIGHT © 2016 JESANI LIMITED
 ALL MEASUREMENTS IN MILLIMETRES

Protected by any one or more of the following
 NZ Registered Design Nos 422194 & 421870
 New Zealand patent application no. NZ 722512